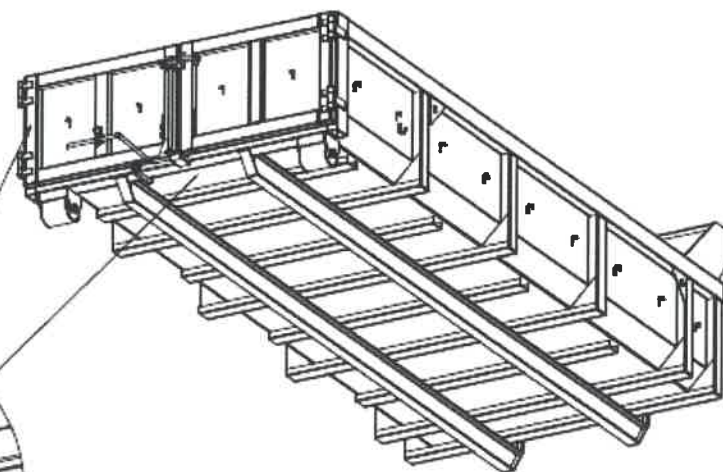
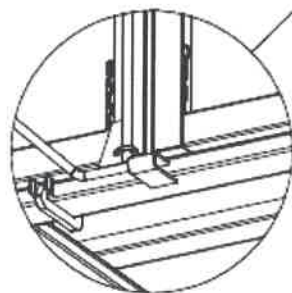


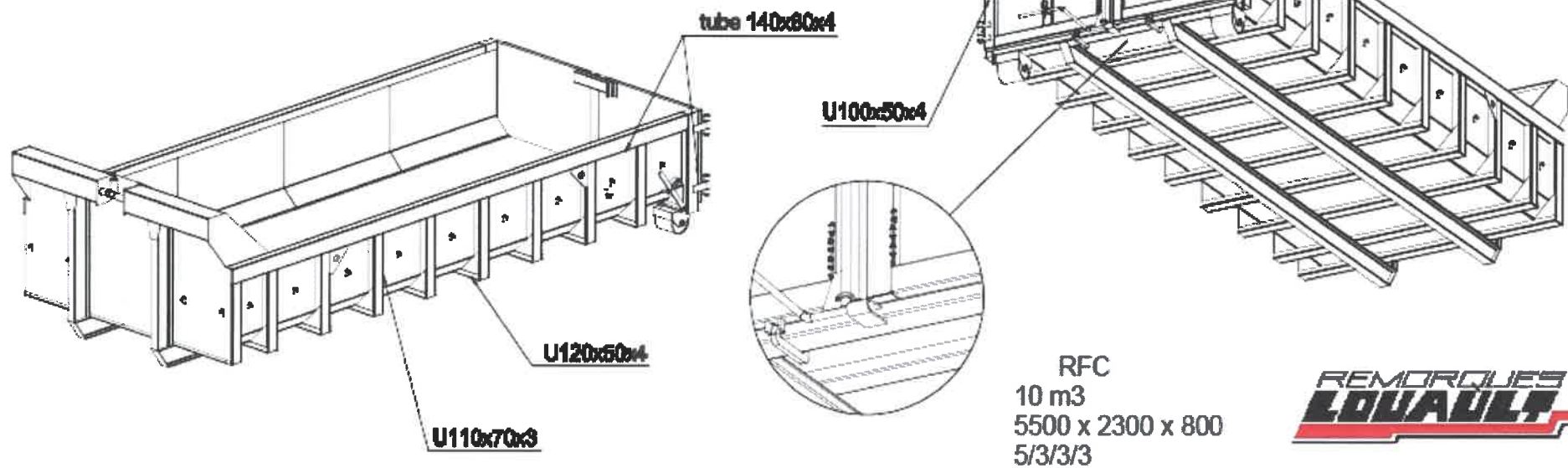
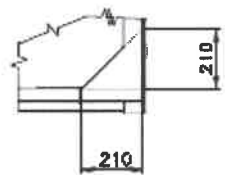
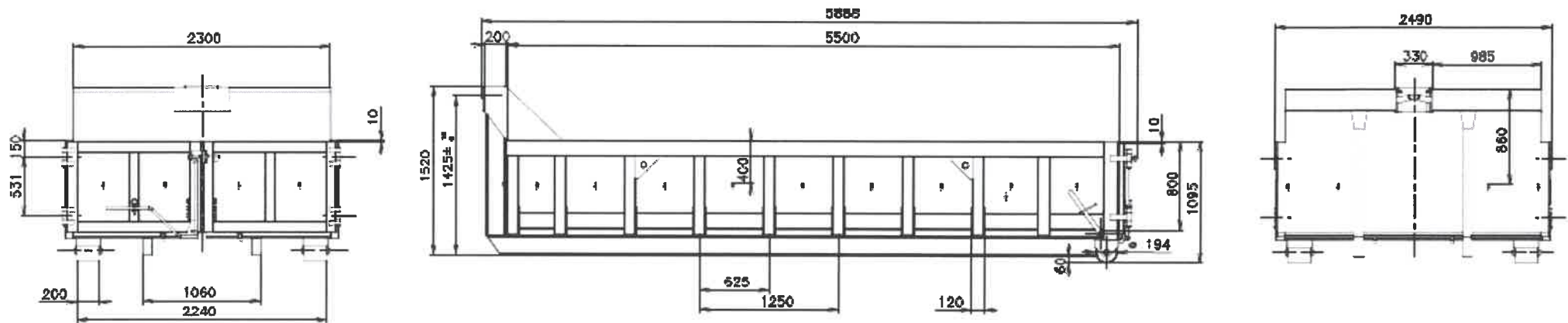
tube 140x80x4

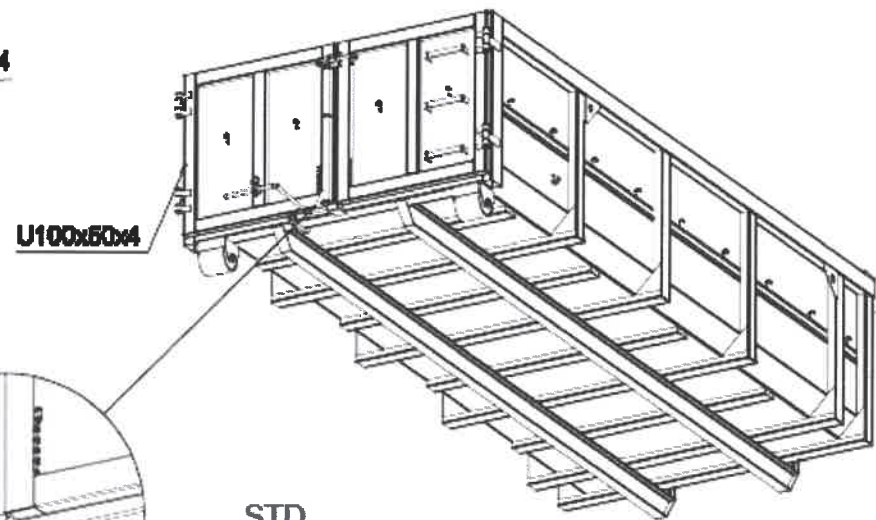
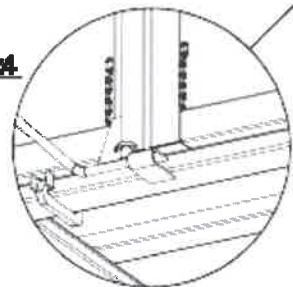
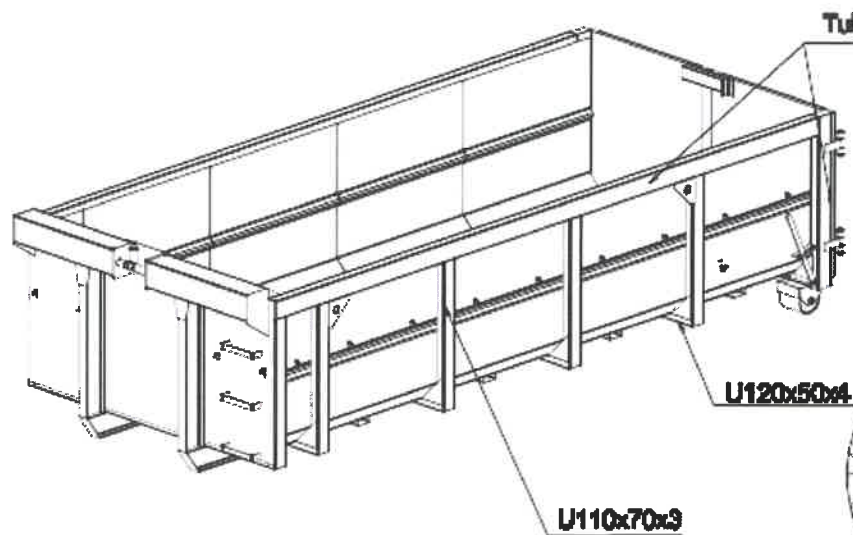
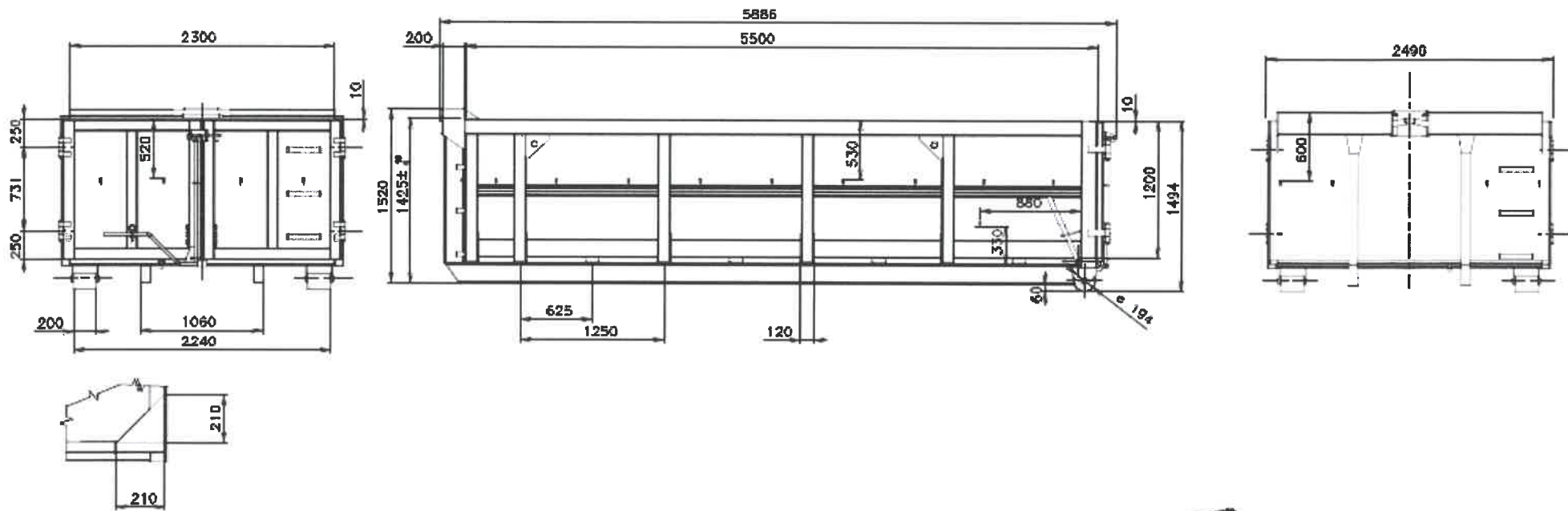
U100x50x4



STD
10 m3
5500 x 2300 x 800
4/3/3/3

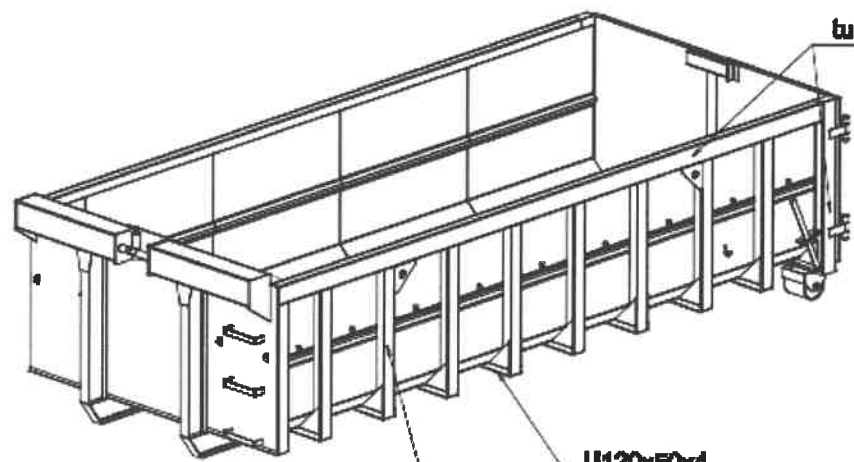
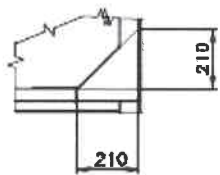
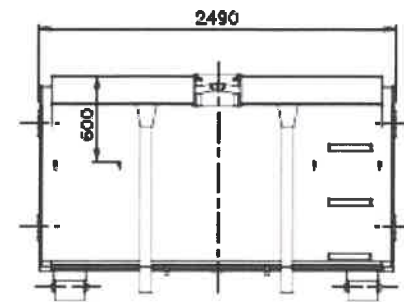
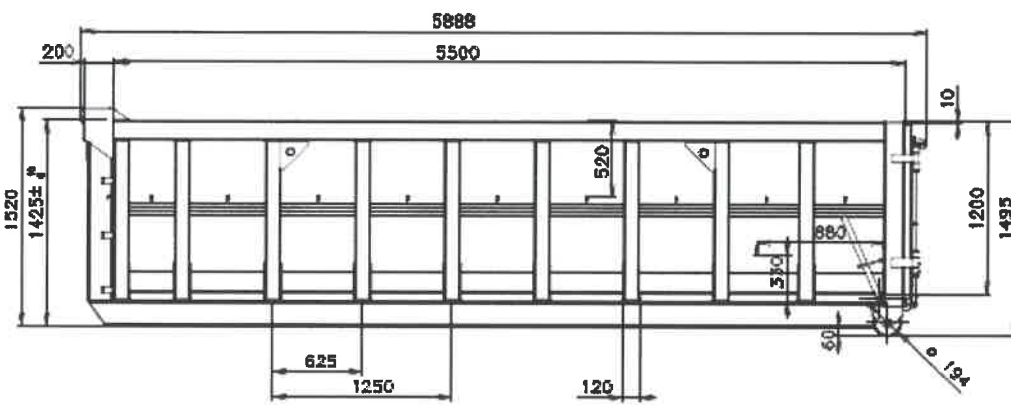
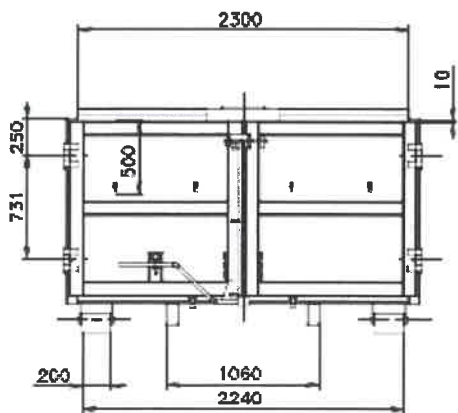






STD
15 m3
5500 x 2300 x 1200
4/3/3/3

REMORQUES
LOUVELT

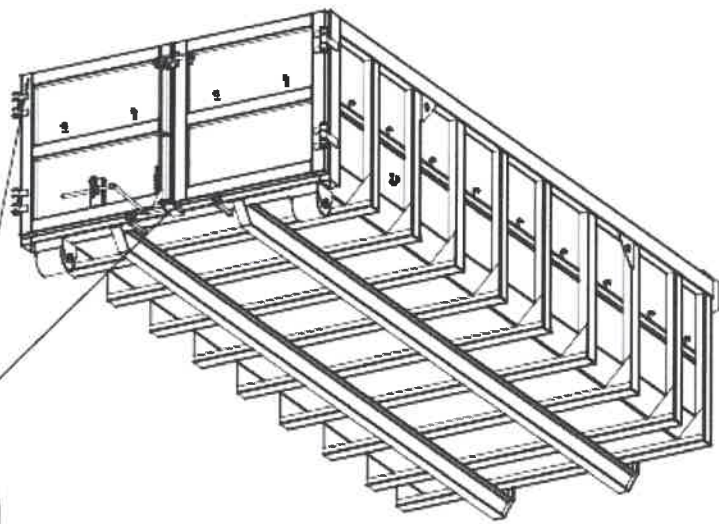
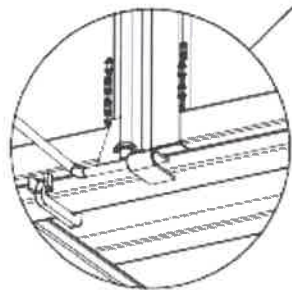


tube 140x60x4

U100x50x4

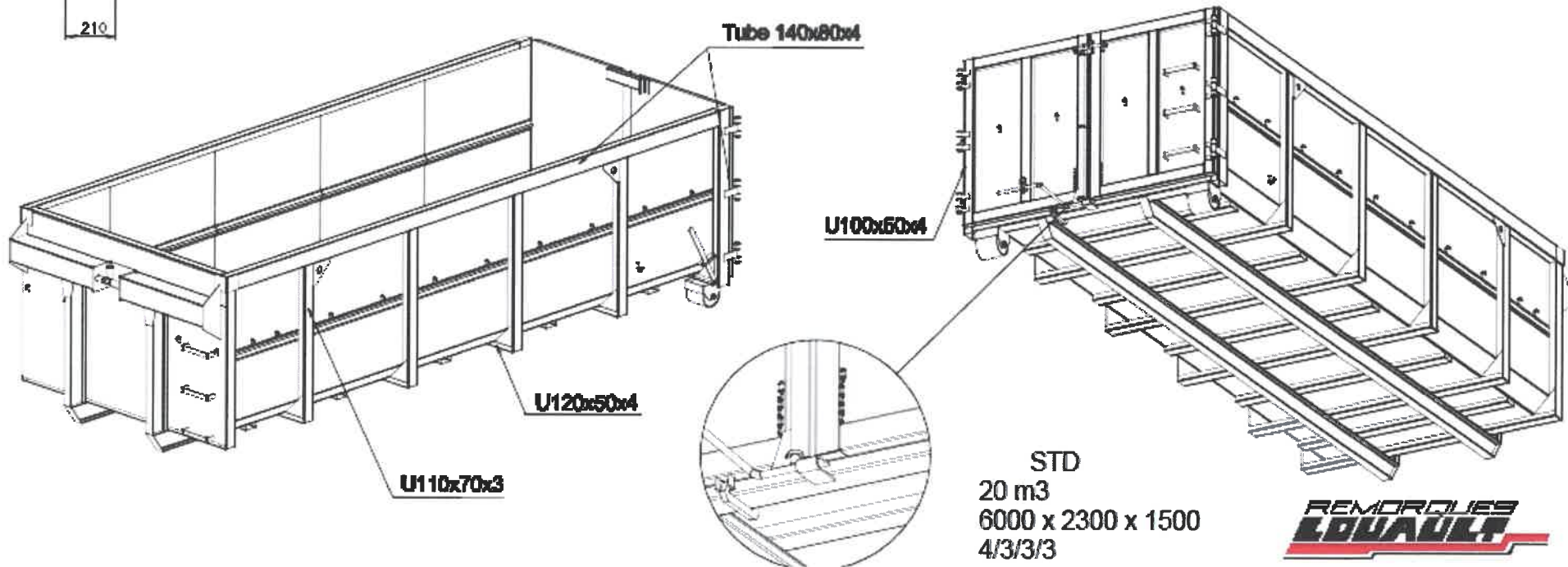
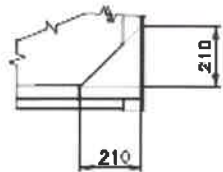
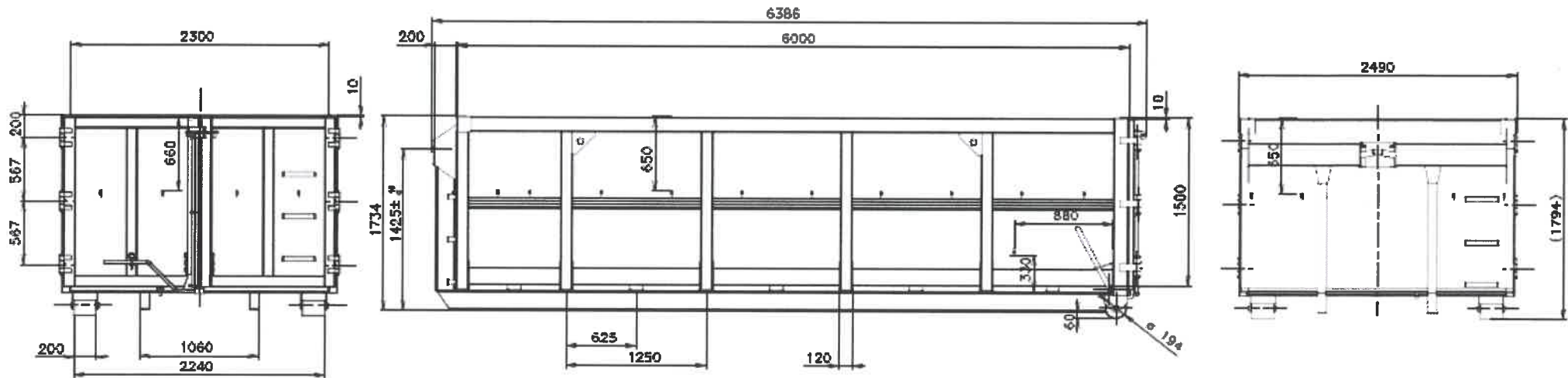
U120x50x4

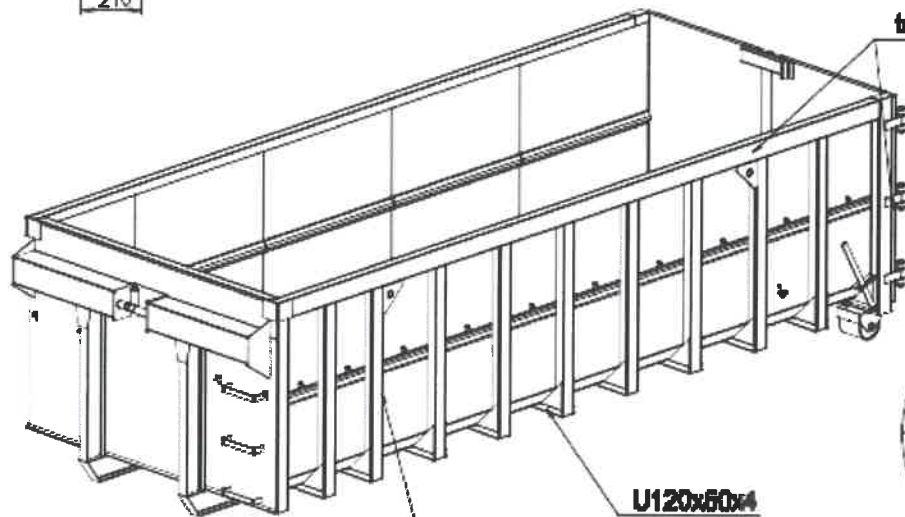
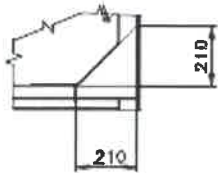
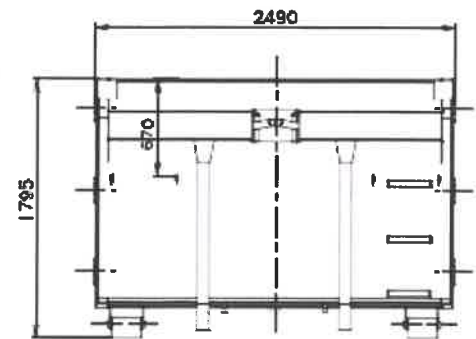
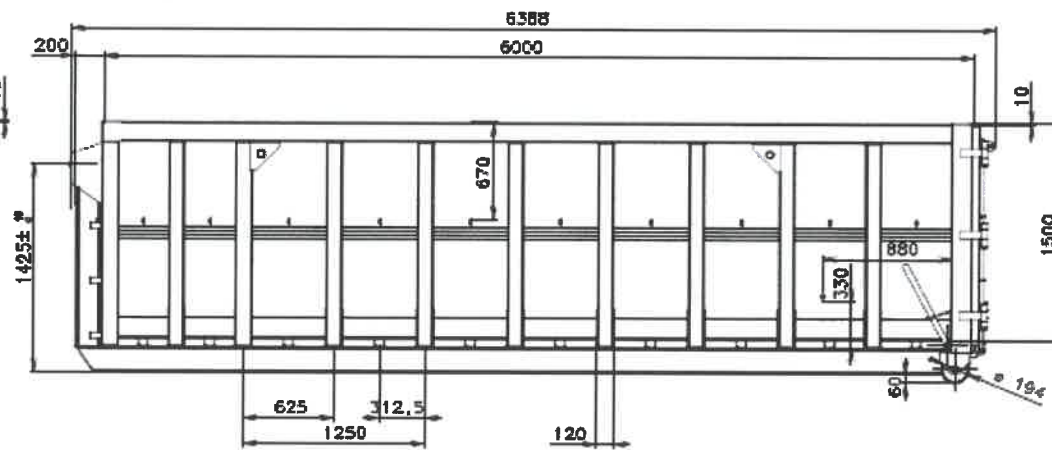
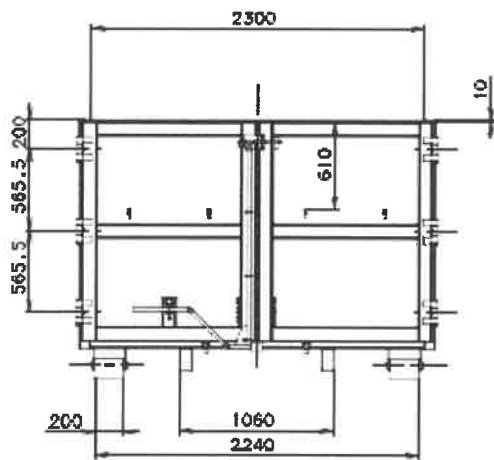
U110x70x3



RFC
 15 m3
 5500 x 2300 x 1200
 5/4/4/4
 2155 kg





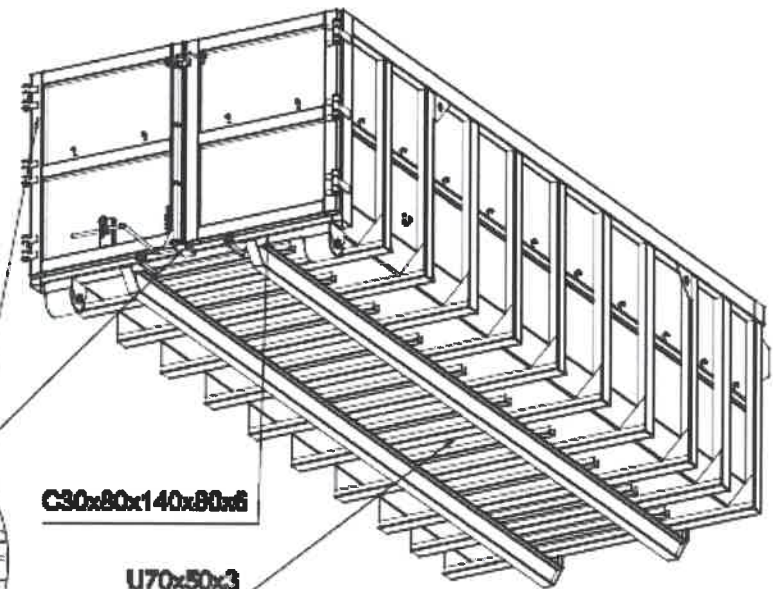
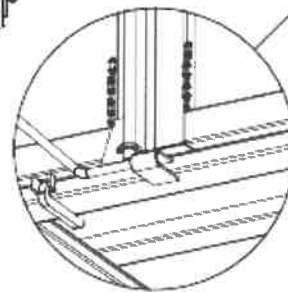


tube 140x80x5

U100x50x4

C30x80x140x80x6

U70x50x3



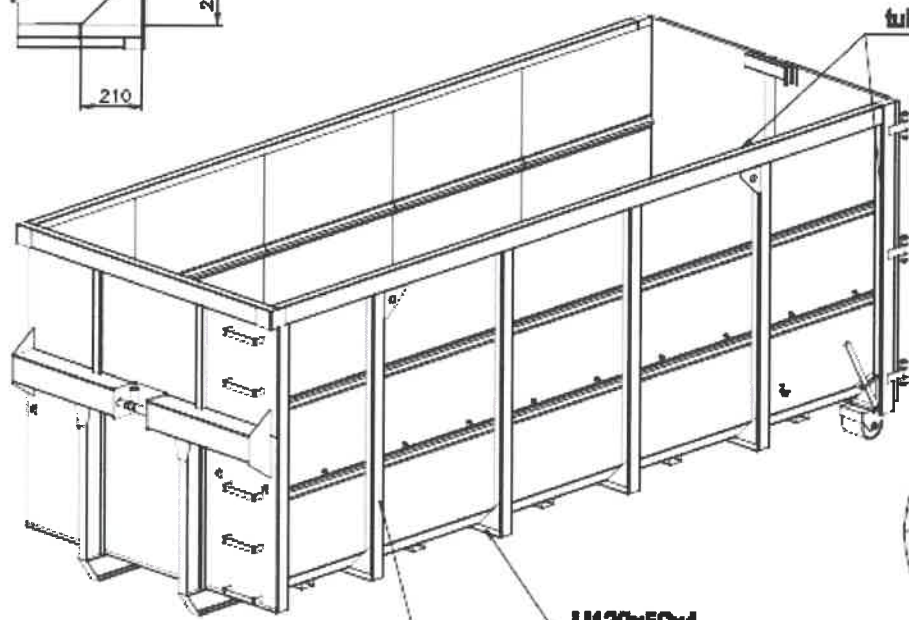
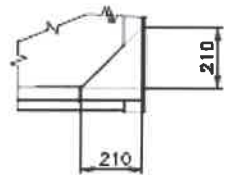
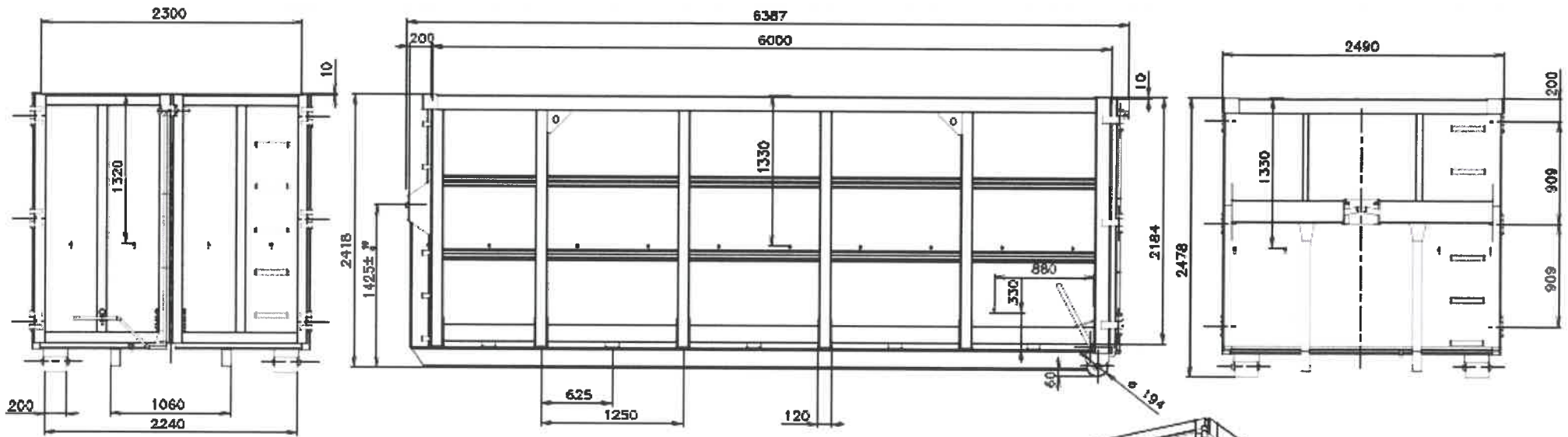
RFC

20 m3

6000 x 2300 x 1500

5/4/4/4



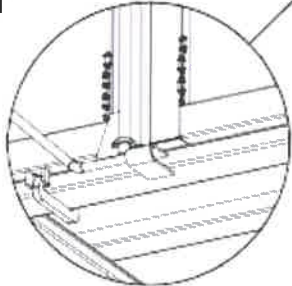


tube 140x80x4

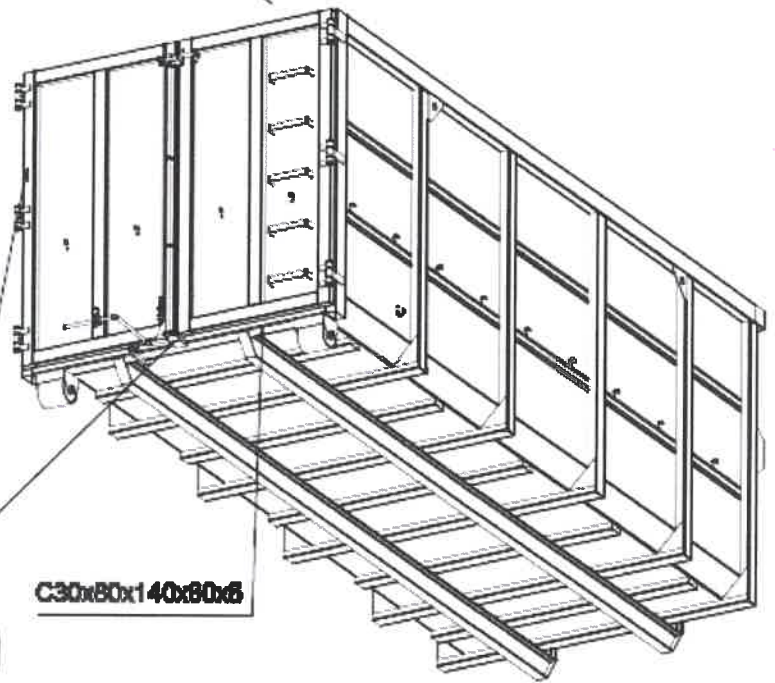
U100x50x4

U120x50x4

U110x70x3

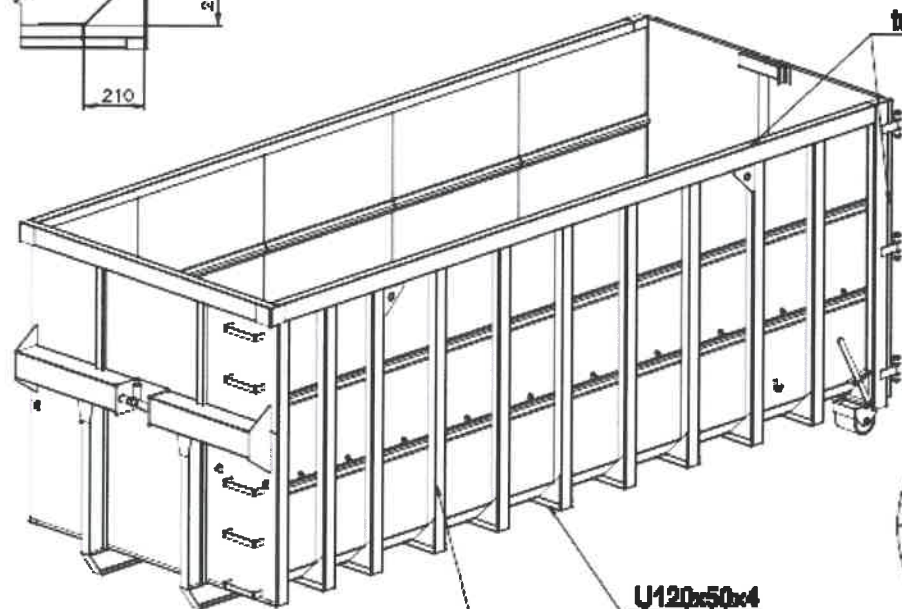
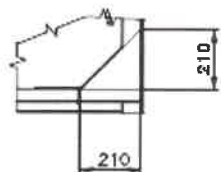
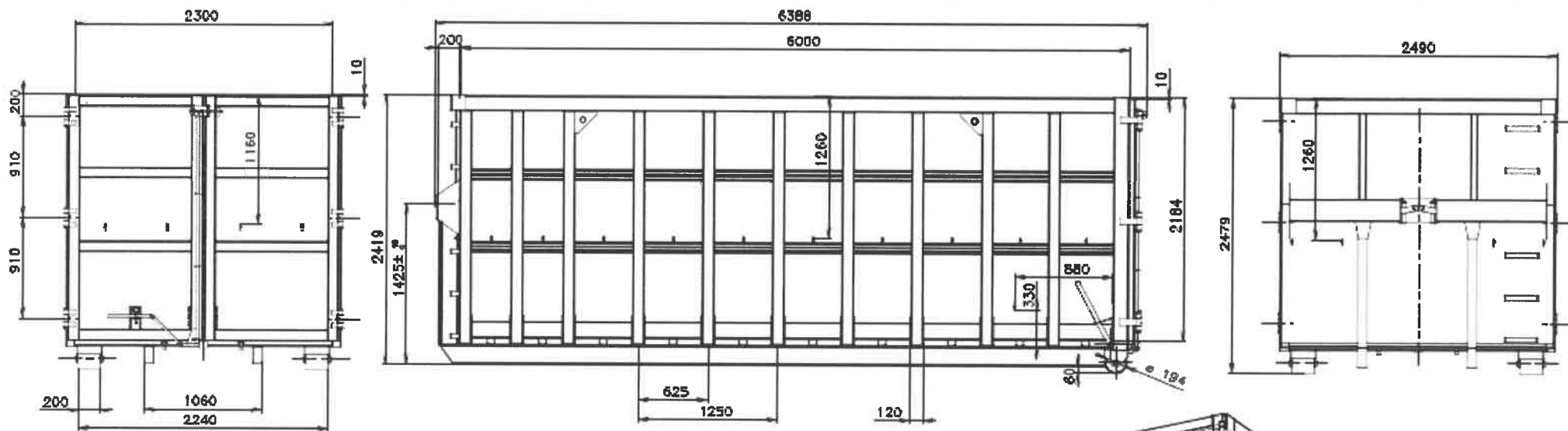


C30x80x140x80x6



STD
30 M3
6000 x 2300 x 2184
4/3/3/3



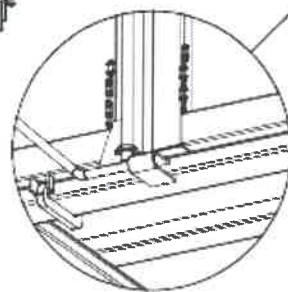


tube 140x80x5

U100x50x4

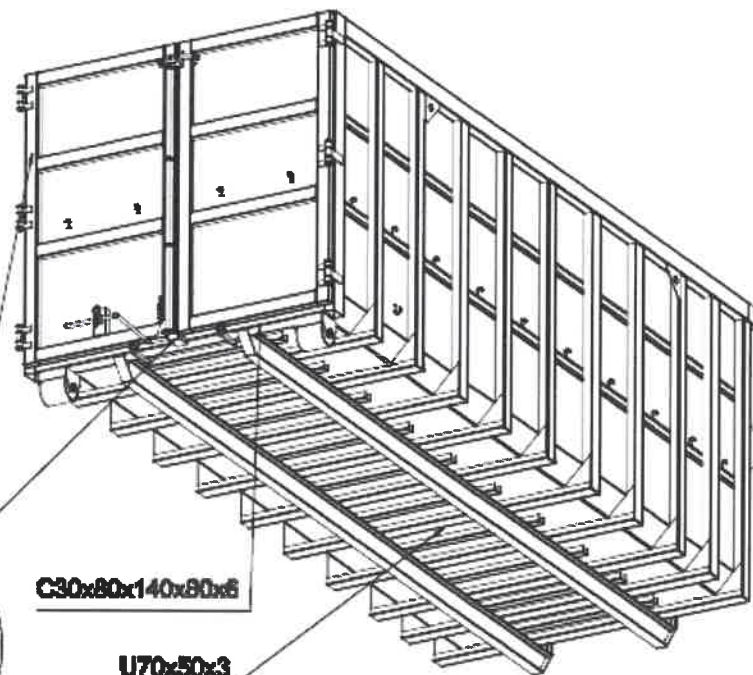
U120x50x4

U110x70x3



C30x80x140x80x6

U70x50x3



RFC

30 m3
6000 x 2300 x 2184
5/4/4/4

